



AA-5S25-165 NEW

AA-5R25-165

CURRENT OUTPUT MEMS ACCELEROMETER

The AA-5S25-165 and AA-5R25-165 MEMS Accelerometers provide an easy 'drop-in' replacement of existing single axis current output Quartz-Flex Accelerometers. Operating from identical power supplies and providing a current output, makes it simple and straight-forward to increase the robustness and reliability of your Directional Modules.

Available in square or round flange configuration, the 'AA' Accelerometers immediately provides measurable improvement to reliability in high shock and vibration conditions.

All this, whilst maintaining excellent Survey and Continuous INC quality.



Highlights

- 'Drop-in' Quartz-Flex replacement
- Extended range shock and vibration rating
- Square/round flange configurations

Features

- Lower power consumption
- Current output
- Wide dynamic range
- 165°C operating temperature range
- Excellent bias and scale stability
- Non-magnetic

Applications

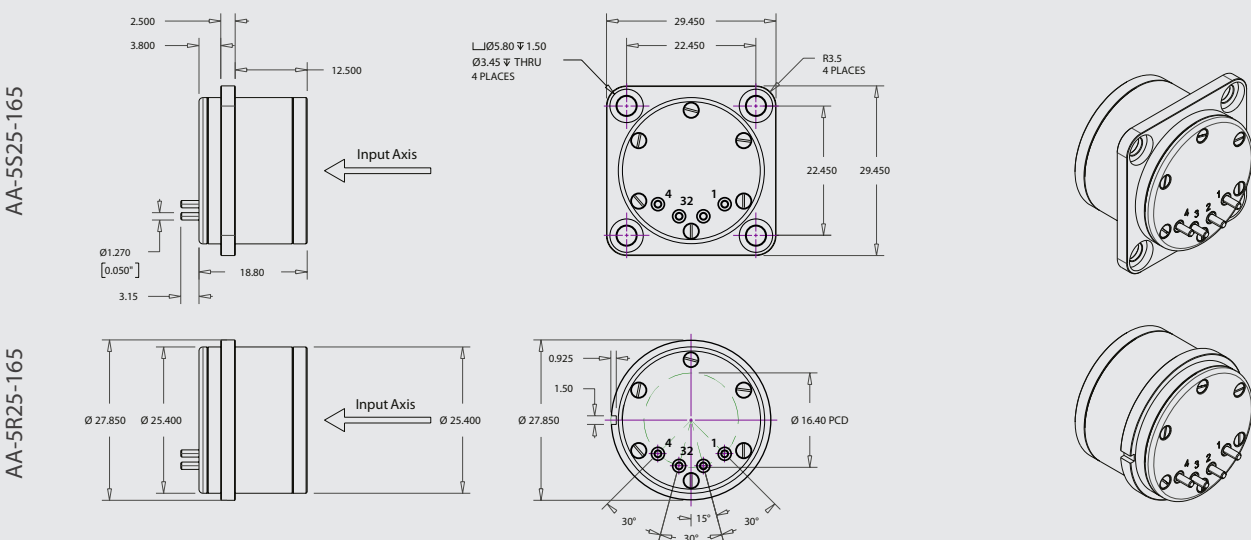
- MWD Directional Modules
- Near Bit Systems
- Rotary Steerable Systems

Quality, precision and reliability.

www.azimuthmwd.com

Description	Value	Units	Comments
Performance			
Initial Bias	+/-5	mG	Typical
Bias Temperature Coefficient	100	μG/°C	Typical
Initial Scale Factor Tolerance	+/-10	%	
Scale Factor Temperature Coefficient	1	%	Over temp range, typical
Electrical			
Input			
Voltage Supply	+/-6 to +/-18	Volts	
Current Consumption (quiescent)	7.0	mA	@13.5V Nominal
Output			
Output Current	3.0	mA/G	Nominal
Acceleration Range	+/-5.0	G	Nominal
Frequency Response	100	Hz	-3dB Point
Mechanical			
Mass	40	grams	Max.
Material	Titanium Alloy		Non-magnetic
Environmental			
Operating Temperature	-40 to 165	°C	
Survival Temperature	-55 to 175	°C	
Vibration Random	50	Grms	50 – 1000Hz
Shock	2000	G	0.5mS, Half-Sine

Order No.	Model No.	Description
A681-648-5	AA-5R25-165	MEMS Accelerometer, Round Flange, 165°C
A871-896-3	AA-5S25-165	MEMS Accelerometer, Square Flange, 165°C



Contact Us

Azimuth Oilfield Systems Limited,
 Unit 1 Kintore Business Park
 Kintore, Aberdeenshire
 AB51 0YQ, United Kingdom

T: +44 (0)1224 773635
 E: info@azimuthmwd.com
www.azimuthmwd.com

Product Support

Azimuth Oilfield Systems Ltd. provides a responsive repair, calibration and product support service. Experienced personnel are available to troubleshoot or repair equipment, and provide general product technical assistance. If you need effective sensor support for your business, then contact support@azimuthmwd.com for more information.

Copyright Azimuth Oilfield Systems Ltd 2024. Azimuth Oilfield Systems Ltd. will occasionally make changes and improvements to products, and reserves the right to alter the specification without prior notice.